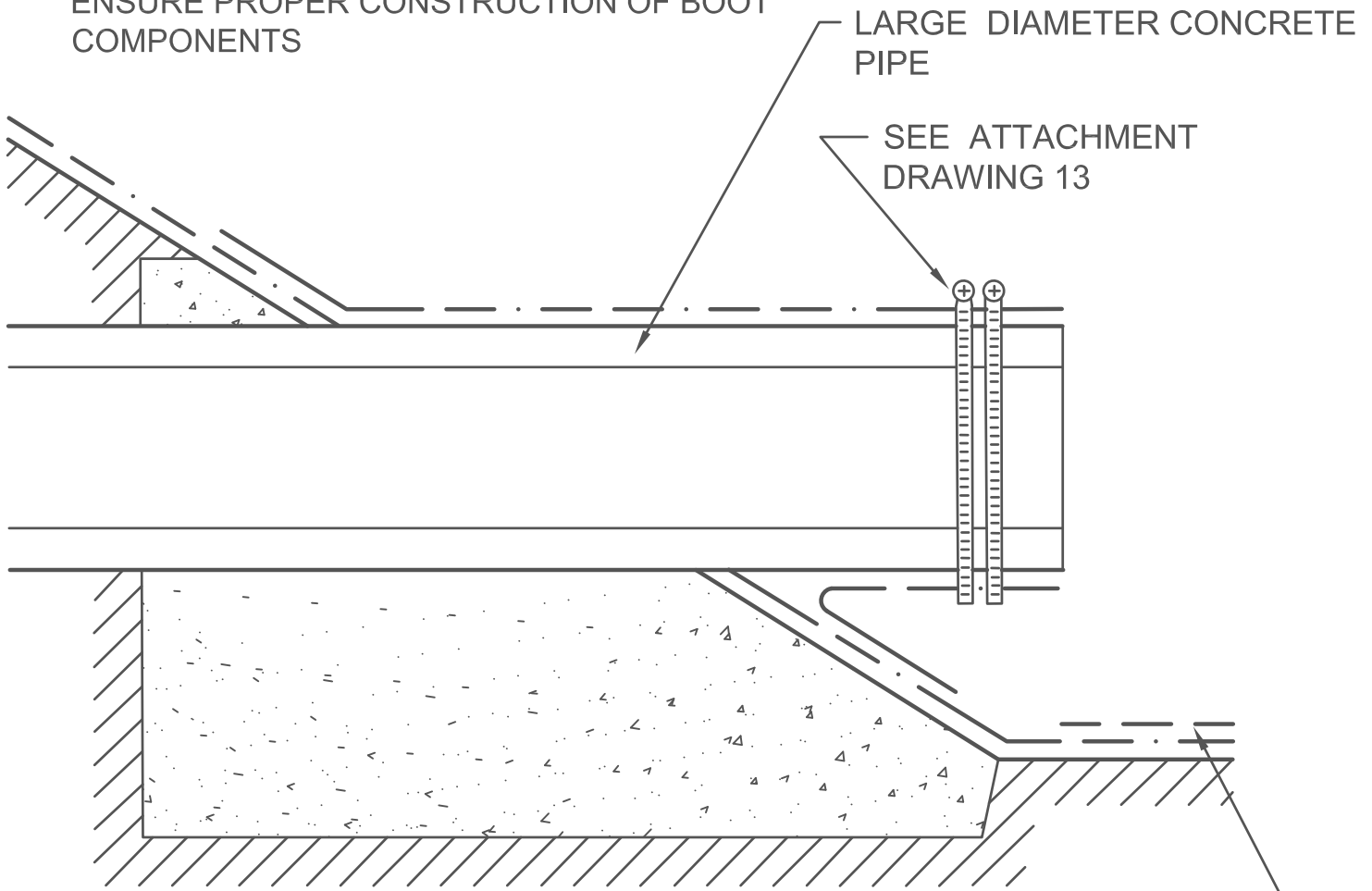


NOTE TO DESIGNER: ALLOW ADEQUATE SPACE ON ALL SIDES OF PENETRATION (ESPECIALLY BELOW PIPE) TO ENSURE PROPER CONSTRUCTION OF BOOT COMPONENTS



SUITABLY SIZED AND WELDED SPLASH PAD, BONDED TO GEOMEMBRANE, PER DESIGN REQUIREMENTS

Typical Concrete Pipe Boot Details

Company Name:

DRAWN BY:	SCALE:	DATE:	DRAWING NUMBER: 9
-----------	--------	-------	----------------------