



Hampton HI400 wood insert in timberline brown enamel finish with decorative cast grille.

HAMPTON® HYBRID CATALYTIC WOOD INSERT | HI400

STYLE MEETS TECHNOLOGY

This hybrid catalytic wood insert by Hampton completes the look of any room. With modern technology and traditional design, you get the best of both worlds – without sacrificing style or efficiency. The HI400 is the next generation of wood inserts, with the ability to heat homes up to 2600 square feet while meeting strict EPA standards.

LATEST IN WOOD BURNING TECHNOLOGY

The Eco-Boost™ hybrid catalytic system allows the fuel to burn at a slower rate, delivering 14 hours or more of heat with a single load of wood. Fuel is used to its full potential with only *1.8 g/hr. of emissions and 86.1% efficiency!*

SPECIFICATIONS	
Technology	Eco-Boost
Maximum BTU*	77,000
Typical Sq. Ft. Heated**	up to 2,600 sq. ft.
Optimum Efficiency	86.1%
Maximum Log Size	22"
Burn Time (Typical)*	up to 14 hrs
Emissions (grams/hr)	1.8g
Firebox Size	2.6 cu. ft.
Flue size	6"
Viewing area	250 sq. in.
Load opening	20 in. W x 10 in. H

MINIMUM FIREPLACE OPENING	
Width	28-13/16"
Height	21-3/4"
Depth	19"

*Length of burn time and BTU range depend on type of wood, moisture content, climate conditions and installation.

**Varies depending on home floor plan, house layout, heat loss of the house and quality/moisture content of wood.



Hampton HI400 wood insert in black finish.

BURN TIME
up to
14 HOURS*

STANDARD FEATURES

- EPA certified
- Eco-Boost™ Technology
- 2.6 cu. ft. firebox accommodating 22" logs
- Single rod bypass damper to engage catalyst
- Single lever air control to adjust heat output
- Digital Catalytic temperature monitor
- High performance brick-lined firebox
- Clean glass airwash system
- Traditional cast iron door
- Ceramic glass
- 250 sq. in. viewing area
- 110° opening door for easy loading
- Quick access leveling bolts
- Rollers for easy installation

OPTIONS

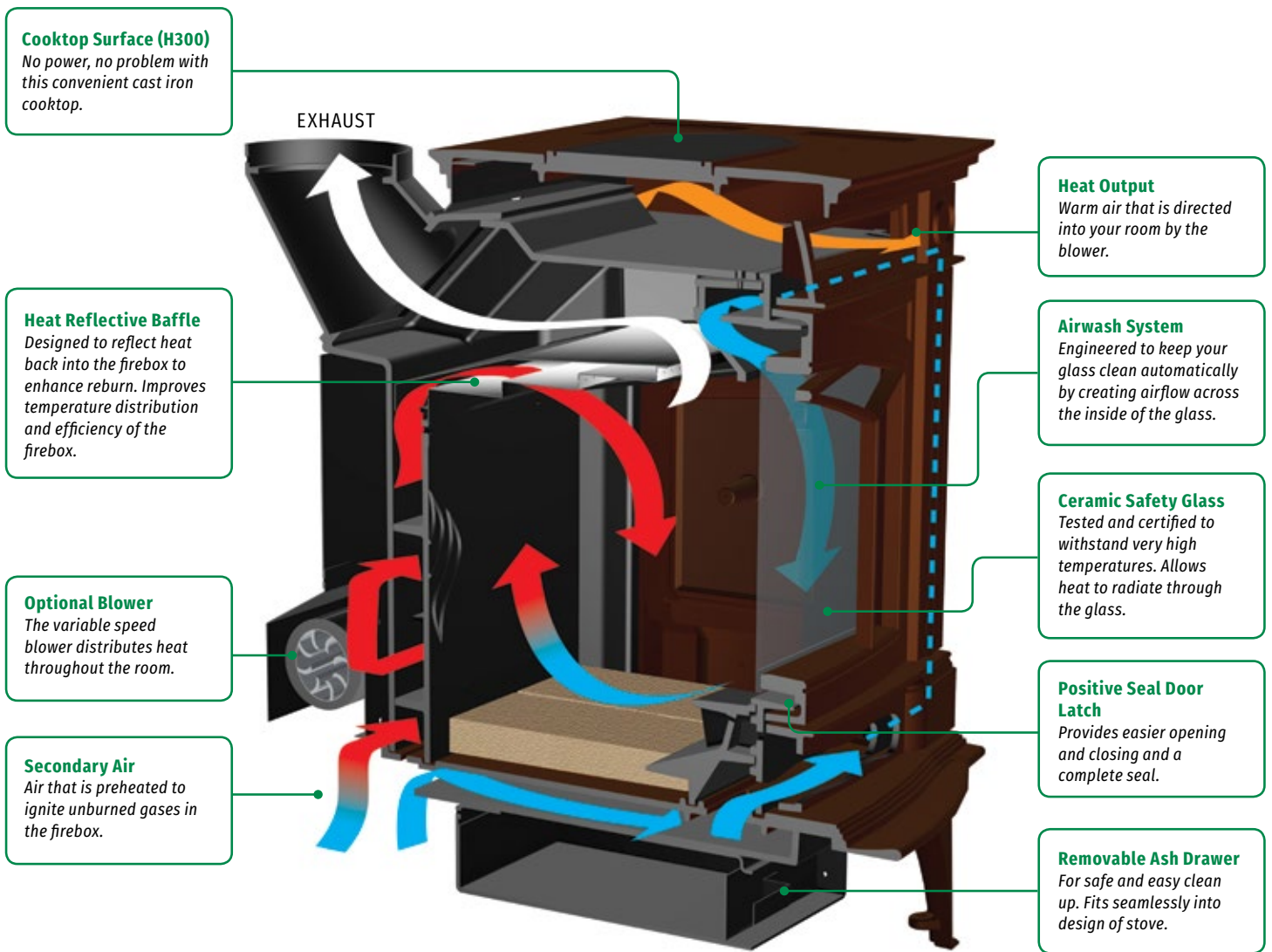
- Black or timberline brown enamel finish
- Flush mount 2 speed blower
- Faceplates in two sizes
- Decorative cast grille
- Backing plates in two sizes
- Offset flue adaptor for installation flexibility
- Stainless steel liner kits
- Flue connectors
- Wrap insulation kits



HAMPTON® WOOD PRODUCTS

HOW DOES **NON-CATALYTIC "2-STAGE BURN" TECHNOLOGY** WORK?

The airflow in the firebox is directed in such a way that fuel is burned in 2 stages. Once during initial combustion, and again when smoke is re-burned. This 2-stage burn creates greater efficiency, a spectacular fire to look at and results in cleaner emissions. By combining non-catalytic technology with durable construction, Regency builds wood fireplaces that are guaranteed to last.

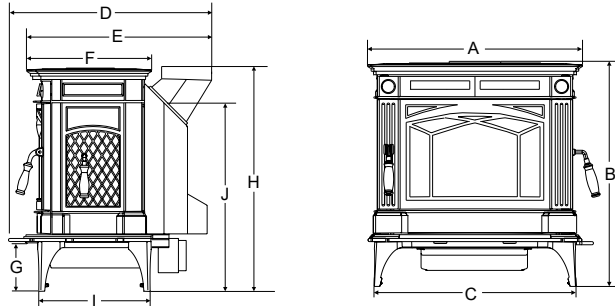


*Not shown in diagram

Single Rod Draft Control
Simple and easy to control heat output and size of fire.

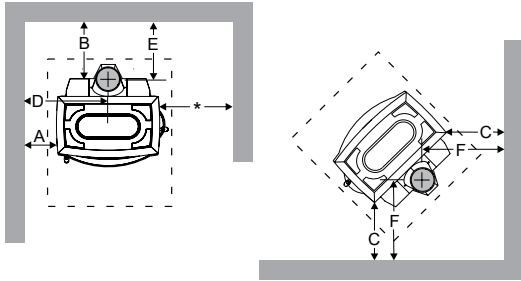
HAMPTON® WOOD PRODUCTS

WOOD STOVES



DIMENSIONS	H200	H300
A	23-7/8"	27"
B	27-5/8"	29-3/4"
B (short legs)	22-5/8"	24-3/8"
C	22-1/8"	25-1/2"
D	25-1/8"	26"
E	21"	24"
F	16"	16-1/8"
G	7-1/8"	7-1/8"
H	28-3/4"	30-1/4"
H (short legs)	23-3/4"	24-3/4"
I	15"	15"
J*	25-7/8"	27-1/4"
J* (short legs)	21"	22-1/8"

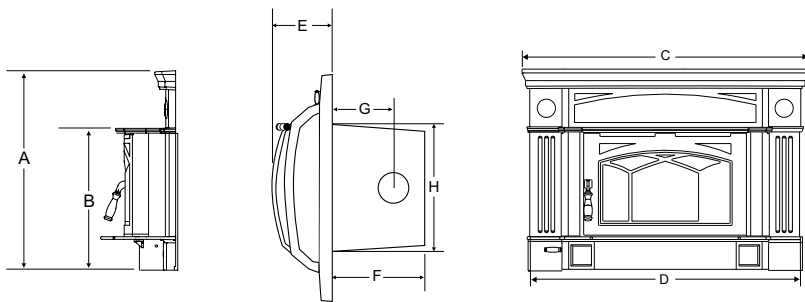
* to center line if rear vented.



MINIMUM CLEARANCE TO COMBUSTIBLES		A	B	C	D	E	F
H200	Residential Installation "C" Vent	17"	15"	13"	29"	17-1/8"	19-7/8"
	Residential Close Clearance	15"	10"	9"	27"	12-1/8"	15-7/8"
	Mobile Home Close Clearance	15"	10"	9"	27"	12-1/8"	15-7/8"
H300	Residential Installation "C" Vent	17"	15"	13"	30"	15"	19"
	Residential Close Clearance	15"	10"	9"	28"	10"	15"
	Mobile Home Close Clearance	15"	10"	9"	28"	10"	15"

NOTE: In Canada floor protection must extend 18" to the front and 8" to the sides and back. With side load door floor protection must extend 18" to the side. In US same as above except floor protection extends 6" to sides and back.
*Minimum clearance with side load door is 18" to side wall. Refer to dimension (B) for clearance without side load door.

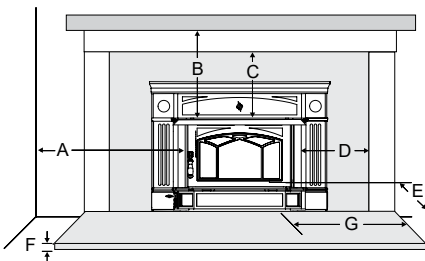
WOOD INSERTS



DIMENSIONS	HI200	HI300	HI300 OVERSIZE
A	27-1/4"	30"	34-9/16"
B	19"	21-1/2"	21-1/2"
C	39-13/16"	42-1/2"	51-7/8"
D	38-5/16"	40"	48-1/8"
E	6-3/8"	11-3/8"	12-1/8"
F	15-1/16"	17-1/4"	16-1/2"
G (regular)	9-5/8"	11-1/8"	11-1/8"
G (offset adaptor)	14-1/8"	--	--
H	21-1/4"	23-3/4"	23-3/4"

Masonry & Factory Built Fireplace Clearances

The minimum required clearances to combustible materials when installed into a masonry fireplace are:



	ADJACENT SIDE WALL (TO SIDE)	MANTEL (TO TOP)	TOP FACING (TO TOP)***	SIDE FACING (TO SIDE)***	MIN. HEARTH EXTENSION*	MIN. HEARTH THICKNESS*	MIN HEARTH SIDE EXTENSION**
	A	B	C	D	E	F	G
HI200	15"	20"	14"	7-3/8"	18" CA/16" US	1-1/2"	8" CA/6" US
HI300 (regular faceplate)	11"	20"	12"	8"	18" CA/16" US	1/2"	8"
HI300 (oversize faceplate)	11"	20"	14"	11"	18" CA/16" US	1/2"	8"

* Note: If the hearth extension is flush with the floor (item F) it must extend 19.5 in. in front of the body face (item E).

** Note: Hearth extension width (G) is measured from edge of fuel door to side of hearth.

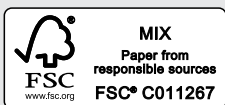
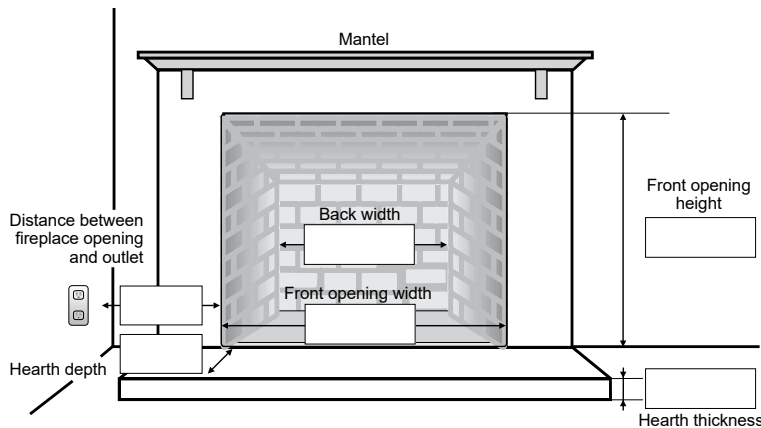
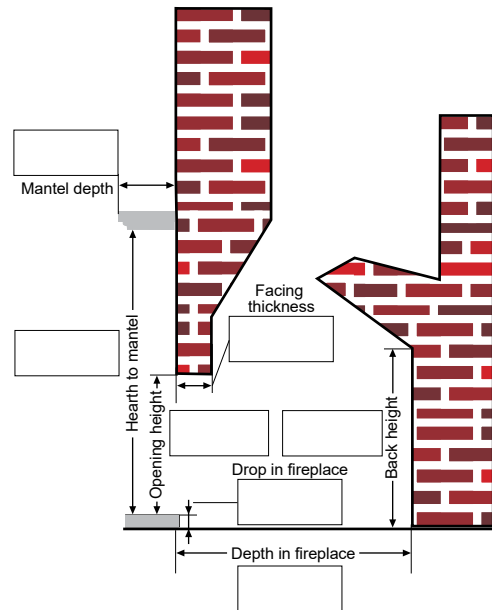
*** up to 1-1/2" thick

FIREPLACE SELECTION WORKSHEET

We want you to enjoy your beautiful Hampton fireplace for years to come. To help you figure out which product is just right for your home, fill in the following worksheet. Once complete, visit your nearest Hampton dealer. Your professional dealer will assess your needs - including local building codes - and install your Hampton.

1. BASIC PRODUCT FUNCTION QUESTIONS	
a. I would like my unit to provide me with:	<input type="checkbox"/> Supplemental heating <input type="checkbox"/> Priority heating
b. The room/rooms I would like to heat are:	sq. ft.

2. FIREPLACE PRODUCT TYPE AND MEASUREMENTS	
a. I am:	<input type="checkbox"/> Installing a new fireplace <input type="checkbox"/> Installing into an existing fireplace
b. Fill in the following measurements:	Ceiling Height:
	Location in the room:
c. What is the:	Flooring material:
	Wall material:
	Ceiling material:
d. Fireplace opening dimensions:	Width (front):
	Width (back):
	Height:
	Depth:



www.regency-fire.com

© 2016 FPI Fireplace Products International Ltd. Regency, Hampton, Heat Wave, Heat Release, SureFire, AstroCap and FireGenie are registered or proprietary trademarks of FPI Fireplace Products International Ltd. All rights reserved. Printed in Canada (07/16) Part no. 944-235

your Regency dealer